



# ZEPHYR LOCK

*Innovative locking solutions for the locker industry*

30 Pecks Lane  
Newtown, CT 06470  
Toll Free: 866-937-4971  
Fax: 203-778-1016  
Email: [info@zephyrlock.com](mailto:info@zephyrlock.com)  
Web: [www.zephyrlock.com](http://www.zephyrlock.com)

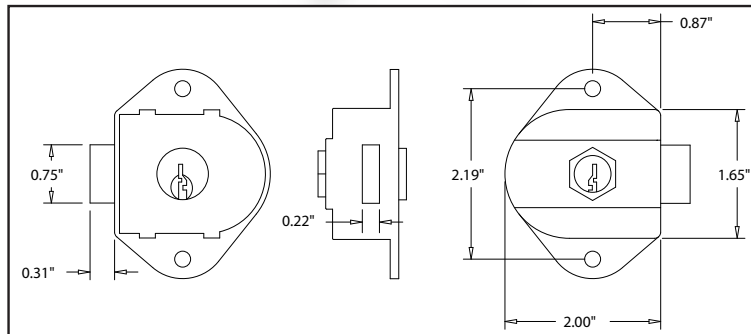
## ADA Compliant Built-in Key Lock 1730



Locked



Unlocked



### FEATURES

- The only mechanical built-in locker lock that meets ADA requirements
- Supervisory key control
- Each lock supplied with 3 keys
- For use on lift-latch/multi-point style lockers that normally operate with a #1930 Vertical Dead Bolt lock
- The 1730 ADA key lock has a 5 year warranty from time of shipment
- 72 hour shipping available

### APPLICATIONS

- Developed as an affordable solution to the current high cost of meeting the 5% requirement of ADA compliant lockers in schools
- Designed to work on lockers with lift latch mechanisms utilizing a mechanical operation
- No twisting of the wrist or more than 5 lbs. of force to operate as required in sec. 4.27.4 of the ADA's Accessibility Guidelines for Building and Facilities
- User-operated by simply inserting the key to unlock, then lifting the handle on the locker door; to lock, the user only needs to close the door and remove the key